

ELECTRONIC FURNITURE LOCK

SOLO - LOCK

... an "invisible", electronic lock with multiple usages ...

Applications:

- Lockers
- Drawers
- Sliding doors

Technology:

- Bluetooth
- RFID 125 kHz (EM4102 / EM4200)
 - up to 30 mm with RFID key cards
 - up to 20 mm with RFID key chips
- RFID 13.56 MHz (Mifare 1K, 4K, Desfire)
 - up to 20 mm with RFID key cards
 - up to 10 mm with Mifare debit and credit cards
 - up to 15 mm with RFID key chips

Access control up to 49 users.

Features:

- Battery or power supply driven
- 20.000 cycles per battery
- "Door open alarm" optional
- "GYM" version (free locker choice) optional
- Programming without any pc or software
- Simple to install and robust

Accessories:

- Glass-kit
- Metal locker kit
- External antenna
- Access control unit with a relay output
- Metal case for heavy security applications
- Master lock / follower lock for groups with several locks
- Special wiring possible with 2.5 to 16 V DC open/close

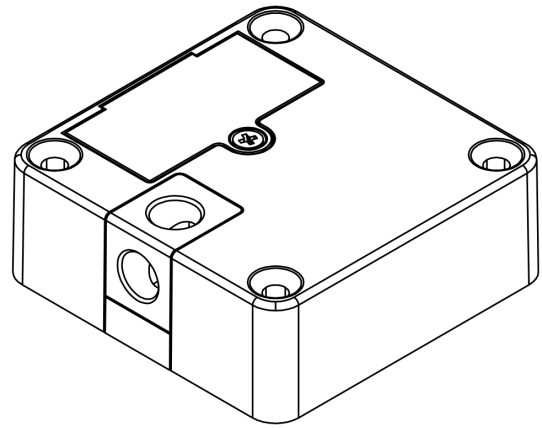
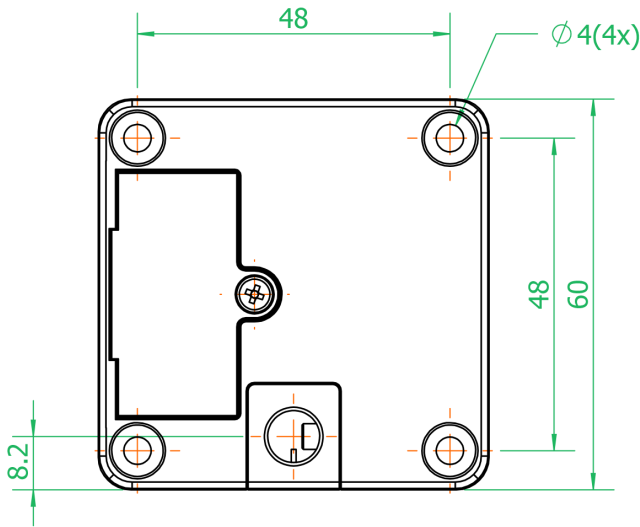
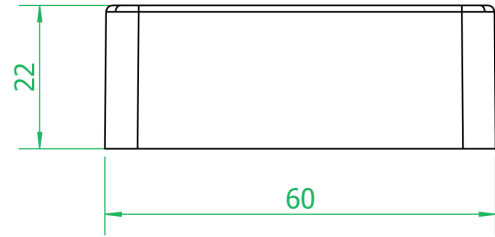
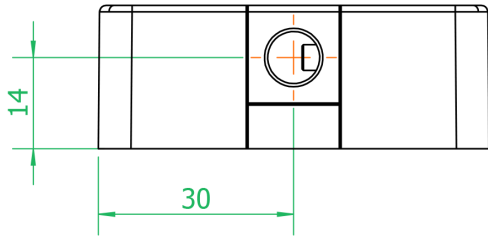
Please take care of:

- Don't use any additional pusher, "push-to-open" or "tip-on"
- Range of temperature: 5-35°C
- Never store locks with inserted batteries

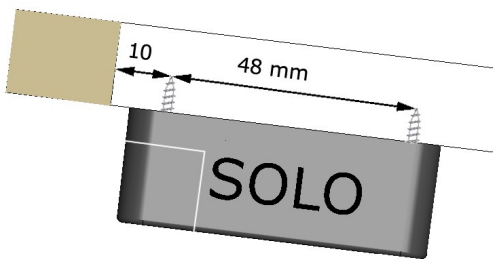


Article number:	SOLO
Customs tariff number:	83013000
Order quantity:	100

ELECTRONIC FURNITURE LOCK



• INSTALLATION WITH THE "LATCH74"



• INSTALLATION WITH THE "LATCH75"

